

AQUARIUS



DESCRIPTION

An exclusive and unique design built with state of the art technology, fully injected 100% food grade Polypropylene guaranteeing maximum reliability and performance. The "Aquarius" range of sand filters have been designed and manufactured using only first grade raw materials.

- 100% Polypropylene body & base
- Fully Automatically Injection Moulded
- Constant re-productivity
- Warranty: 5 years
- Max. 4 bar operating pressure
- Clamp closer
- "T" Air Bleed Valve
- Pressure Gauge
- Lateral side connectors Ø 50 mm. (for 1 1/2" valve) and 63 mm. (for 2" valve)
- High flow rate laterals – 6 branch manifolds
- Unique Design
- Easy to assemble
- Simple to maintain
- Heavy duty performance



TECHNICAL FEATURES

Features

Model	Flow rate m ³ /h	Sand load Kg.	Nom. operating pressure Bar	Filtration surface area m ²	Max filtration speed rate m ³ /h/m ²
Aquarius 6	6	75	1,5	0,12	50
Aquarius 10	10	100	1,5	0,21	50
Aquarius 14	14	150	1,5	0,28	50
Aquarius 22	22	250	1,5	0,44	50

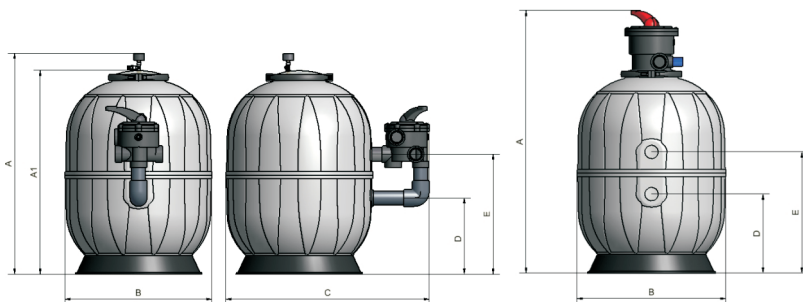


SERIES

Dimensions

'S' SERIES - SIDE MOUNT VALVE

'T' SERIES - TOP MOUNT VALVE



Model	Valve	A mm	A1 mm	B mm	C mm	D mm	E mm
Aquarius 6S	1" 1/2	645	585	450	716	206	356
Aquarius 10S	1" 1/2	795	735	530	730	281	431
Aquarius 14S	1" 1/2	830	768	620	820	300	449
Aquarius 22S	2"	1010	955	790	1102	349	579
Aquarius 6T	1" 1/2	775		450		206	356
Aquarius 10T	1" 1/2	925		530		280	430
Aquarius 14T	1" 1/2	960		620		300	450



PACKAGE

Dimensions

Model	Mm*	Kg.*	M ³
Aquarius 6S	477x477x580	6	0,13
Aquarius 10S	530x530x710	9	0,20
Aquarius 14S	640x640x770	11	0,32
Aquarius 22S	780x780x970	21	0,60
Aquarius 6T	477x477x580	6	0,13
Aquarius 10T	530x530x710	9	0,21
Aquarius 14T	640x640x770	11	0,32

* Without valve